

Cila

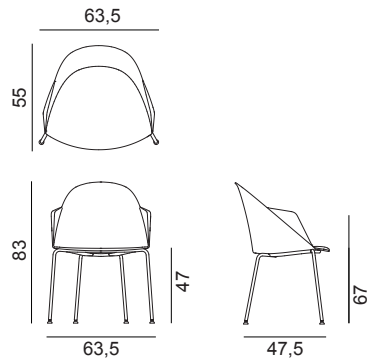
Design by Lievore Altherr, 2018

Art. 2221

Armchair with four-leg base made of chromed or powdercoated steel. Polypropylene shell available in 5 colours, with seat cushion in fabric, leather, coated fabric, or customer's material. Optional glides with felt for wooden floors are available upon request.



Dimensions *



* File CAD 2D - 3D available for download at www.arper.com

Frame Base



Shell

Polypropylene



arper

www.arper.com

info@arper.com


Cila

Design by Lievore Altherr, 2018

SHIPMENT DETAILS

Art.2221

1 pz = 2  - kg 12,16/ m³ 0,398

4 pz = 2  - kg 35,17/ m³ 0,564

TECHNICAL SPECIFICATIONS

Art.2221

COL requirement m² 0.756

H 140 cm. COM Meterage m 0.41

RESISTANCE TEST

- TUV GS (EN16139)

FIRE RETARDANT TEST

ENVIRONMENTAL CERTIFICATIONS



arper

www.arper.com
info@arper.com

www.arper.com